

# Technical Data Sheet

## DUAL POWER POST - DIVIDED

Our Small Base Single & Dual Power Posts are compact in design and ideal for creating a centralised power distribution or grounding point. Several configurations are available in order to suit a variety of applications.

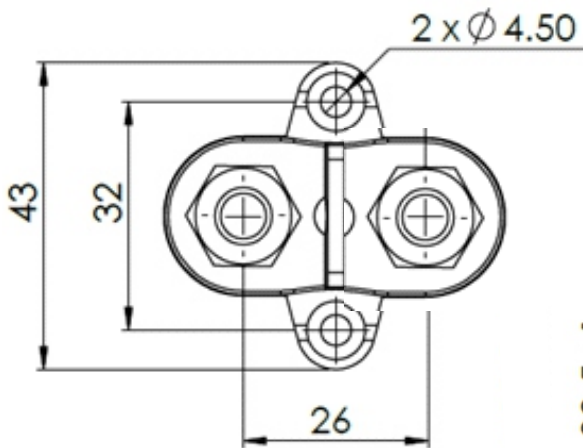
### Features

- Allows terminating of heavy-duty cables for one or more connections
- Available in Red or Black
- Glass Fibre reinforced Nylon base ensures great mechanical strength and durability
- Insulated Base ensures no current leakage to mounting positions
- Heavy Duty Terminal Studs (up to M10)
- Small Base allows for easy installation in tight spaces

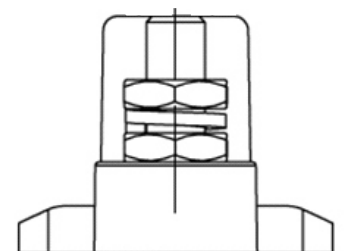
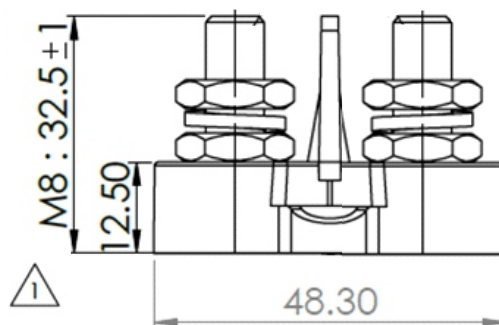
### Specifications

Specifications	Part Number	Description	Size	Colour
Base Material: Nylon, Glass Fibre Reinforced	SBRD_DPD-M8	Small Base - Dual Power Post - Divided	M8	Red
Stud Material: Stainless Steel				
Screw Nuts Material: Nickel-plated Brass				
Max Operating Voltage: DC 48V				
Max Amp per Circuit: Determined by Wire Size Connected				

### Technical Drawing



Top View



		Unit 3/15 Parramatta Road, Underwood, QLD Australia 4119 PO Box 1301, Slacks Creek QLD Australia 4127 P: +61 (0)7 3290 3116	
REF:	DATE: 06-09-18	DRN BY:	WEIGHT:
TITLE: SMALL BASE- DUAL POWER POST - DIVIDED		CHK'D BY:	
MATERIAL:		PART NO	
COLOR: RED	DRG CLASS	SBRD_DPD-M8	