

# Technical Data Sheet

## SINGLE POWER POST

Our Small Base Single & Dual Power Posts are compact in design and ideal for creating a centralised power distribution or grounding point. Several configurations are available in order to suit a variety of applications.

### Features

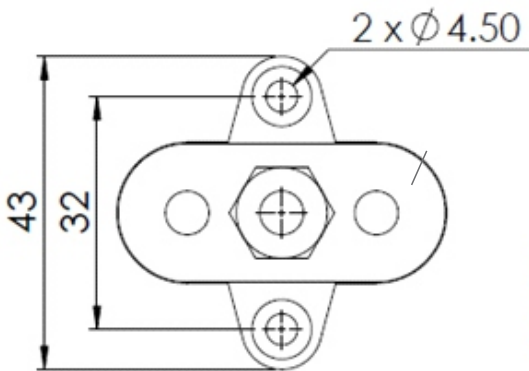
- Allows terminating of heavy-duty cables for one or more connections
- Available in Red or Black
- Glass Fibre reinforced Nylon base ensures great mechanical strength and durability
- Insulated Base ensures no current leakage to mounting positions
- Heavy Duty Terminal Studs (up to M10)
- Small Base allows for easy installation in tight spaces

### Specifications

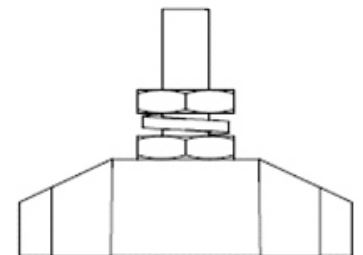
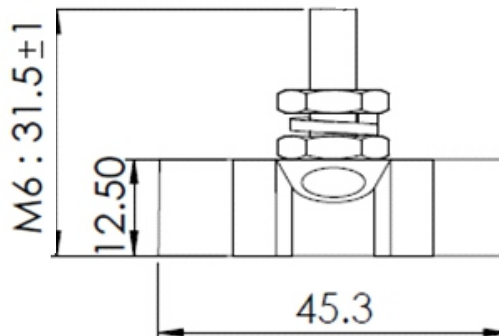
Specifications	
Base Material:	Nylon, Glass Fibre Reinforced
Stud Material:	Stainless Steel
Screw Nuts Material:	Nickel-plated Brass
Max Operating Voltage:	DC 48V
Max Amp per Circuit:	Determined by Wire Size Connected

Part Number	Description	Size	Colour
SBBK_SP-M6	Small Base - Single Power Post	M6	Black

### Technical Drawing



Top View



		Unit 3/15 Parramatta Road, Underwood, QLD Australia 4119 PO Box 1301, Slacks Creek QLD Australia 4127 P: +61 (0)7 3290 3116	
		REF:	DATE: 06-09-18
TITLE: SMALL BASE- SINGLE POWER POST		CHK'D BY:	
MATERIAL:		PART NO	
COLOR: BLACK	DRG CLASS	SBBK_SP-M6	