

Technical Data Sheet

DUAL POWER POST - DIVIDED

Our Small Base Single & Dual Power Posts are compact in design and ideal for creating a centralised power distribution or grounding point. Several configurations are available in order to suit a variety of applications.

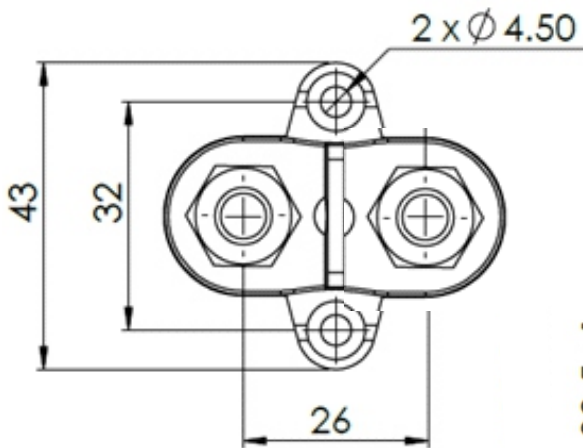
Features

- Allows terminating of heavy-duty cables for one or more connections
- Available in Red or Black
- Glass Fibre reinforced Nylon base ensures great mechanical strength and durability
- Insulated Base ensures no current leakage to mounting positions
- Heavy Duty Terminal Studs (up to M10)
- Small Base allows for easy installation in tight spaces

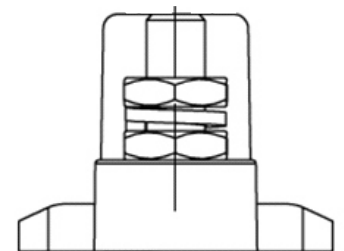
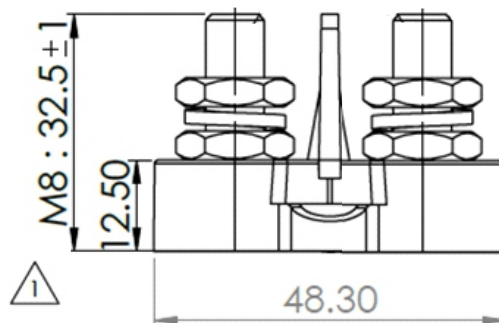
Specifications

| Specifications | Part Number | Description | Size | Colour |
|--|-------------|--|------|--------|
| Base Material: Nylon, Glass Fibre Reinforced | SBBK_DPD-M8 | Small Base - Dual Power Post - Divided | M8 | Black |
| Stud Material: Stainless Steel | | | | |
| Screw Nuts Material: Nickel-plated Brass | | | | |
| Max Operating Voltage: DC 48V | | | | |
| Max Amp per Circuit: Determined by Wire Size Connected | | | | |

Technical Drawing



Top View



| | | | |
|--|-----------|--|----------------|
| | | Unit 3/15 Parramatta Road Underwood, QLD Australia 4119 PO Box 1301, Slacks Creek QLD Australia 4127 P: +61 (0)7 3290 3116 | |
| | | REF: | DATE: 06-09-18 |
| TITLE: SMALL BASE- DUAL POWER POST - DIVIDED | | CHK'D BY: | |
| MATERIAL: | | PART NO | |
| COLOR: BLACK | DRG CLASS | SBBK_DPD-M8 | |