

SMALL BASE POWER POSTS

www.googolplex.com.au



Technical Data Sheet

SINGLE POWER POST

Our Small Base Single & Dual Power Posts are compact in design and ideal for creating a centralised power distribution or grounding point. Several configurations are available in order to suit a variety of applications.

Features

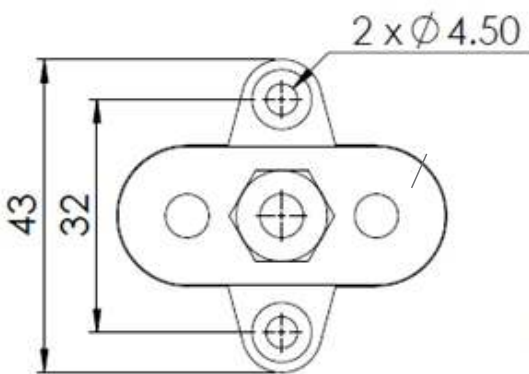
- Allows terminating of heavy-duty cables for one or more connections
- Available in Red or Black
- Glass Fibre reinforced Nylon base ensures great mechanical strength and durability
- Insulated Base ensures no current leakage to mounting positions
- Heavy Duty Terminal Studs (up to M10)
- Small Base allows for easy installation in tight spaces

Specifications

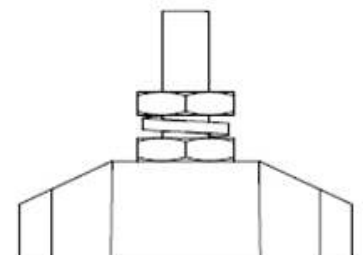
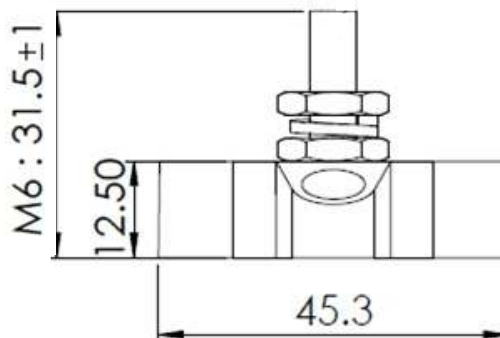
Specifications	
Base Material:	Nylon, Glass Fibre Reinforced
Stud Material:	Stainless Steel
Screw Nuts Material:	Nickel-plated Brass
Max Operating Voltage:	DC 48V
Max Amp per Circuit:	Determined by Wire Size Connected

Part Number	Description	Size	Colour
SBRD_SP-M6	Small Base - Single Power Post	M6	Red

Technical Drawing



Top View



		Unit 3/15 Parramatta Road, Underwood, QLD Australia 4119 PO Box 1301, Slacks Creek QLD Australia 4127 P: +61 (0)7 3290 3116	
REF:	DATE: 06-09-18	DRN BY:	WEIGHT:
TITLE: SMALL BASE- SINGLE POWER POST		CHK'D BY:	
MATERIAL:		PART NO	
COLOR: RED	DRG CLASS	SBRD_SP-M6	

Technical Data Sheet

SINGLE POWER POST

Our Small Base Single & Dual Power Posts are compact in design and ideal for creating a centralised power distribution or grounding point. Several configurations are available in order to suit a variety of applications.

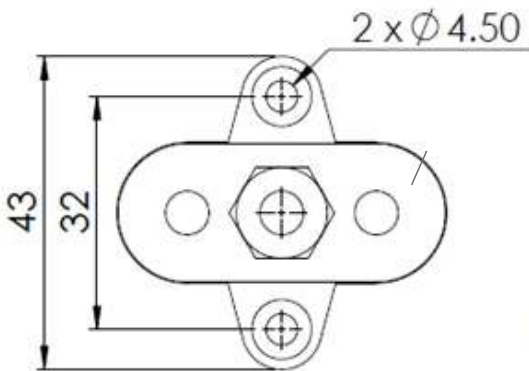
Features

- Allows terminating of heavy-duty cables for one or more connections
- Available in Red or Black
- Glass Fibre reinforced Nylon base ensures great mechanical strength and durability
- Insulated Base ensures no current leakage to mounting positions
- Heavy Duty Terminal Studs (up to M10)
- Small Base allows for easy installation in tight spaces

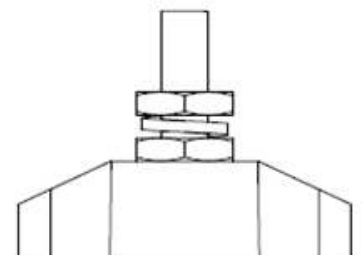
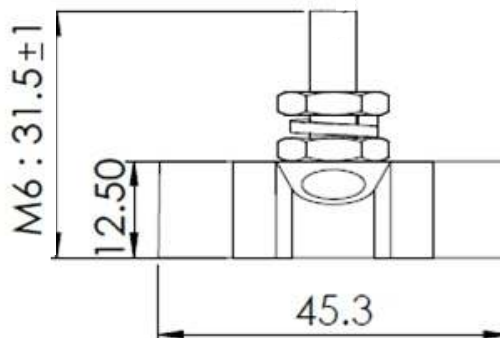
Specifications

Specifications	Part Number	Description	Size	Colour
Base Material: Nylon, Glass Fibre Reinforced	SBBK_SP-M6	Small Base - Single Power Post	M6	Black
Stud Material: Stainless Steel				
Screw Nuts Material: Nickel-plated Brass				
Max Operating Voltage: DC 48V				
Max Amp per Circuit: Determined by Wire Size Connected				

Technical Drawing



Top View



		Unit 3/15 Parramatta Road, Underwood, QLD Australia 4119 PO Box 1301, Slacks Creek QLD Australia 4127 P: +61 (0)7 3290 3116	
REF:	DATE: 06-09-18	DRN BY:	WEIGHT:
		CHK'D BY:	
TITLE: SMALL BASE- SINGLE POWER POST			
MATERIAL:		PART NO	
COLOR: BLACK	DRG CLASS	SBBK_SP-M6	

Technical Data Sheet

SINGLE POWER POST

Our Small Base Single & Dual Power Posts are compact in design and ideal for creating a centralised power distribution or grounding point. Several configurations are available in order to suit a variety of applications.

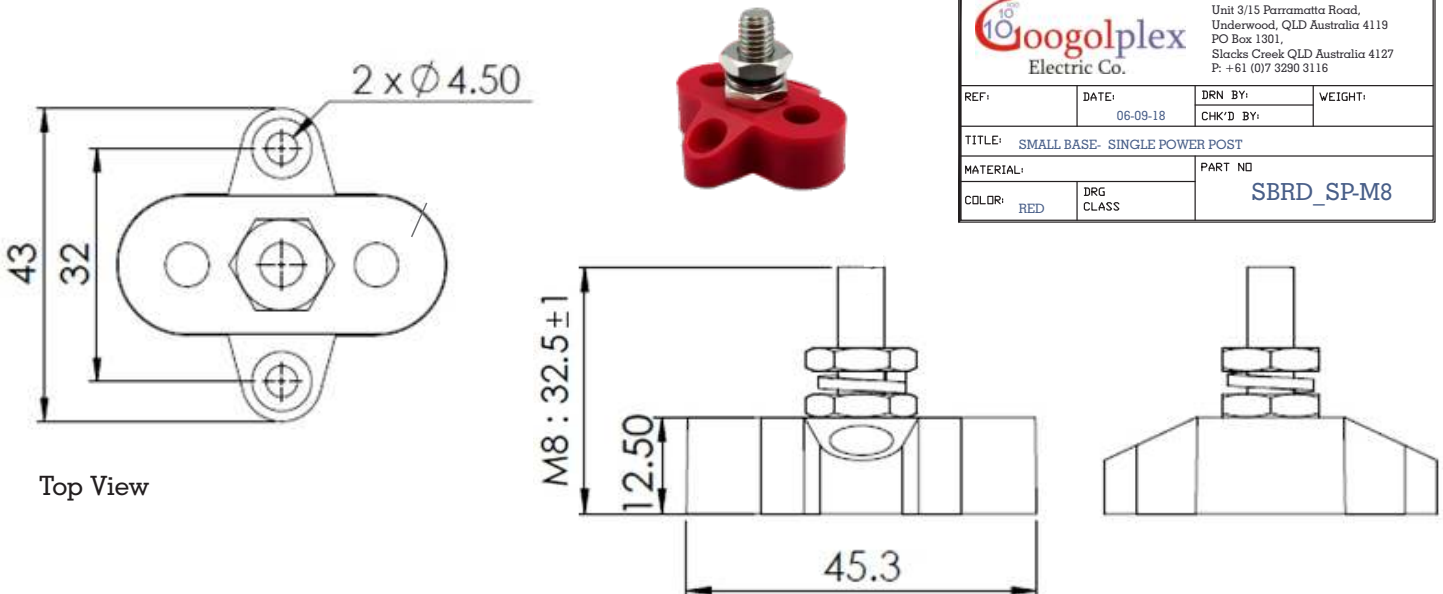
Features

- Allows terminating of heavy-duty cables for one or more connections
- Available in Red or Black
- Glass Fibre reinforced Nylon base ensures great mechanical strength and durability
- Insulated Base ensures no current leakage to mounting positions
- Heavy Duty Terminal Studs (up to M10)
- Small Base allows for easy installation in tight spaces

Specifications

Specifications	Part Number	Description	Size	Colour
Base Material: Nylon, Glass Fibre Reinforced	SBRD_SP-M8	Small Base - Single Power Post	M8	Red
Stud Material: Stainless Steel				
Screw Nuts Material: Nickel-plated Brass				
Max Operating Voltage: DC 48V				
Max Amp per Circuit: Determined by Wire Size Connected				

Technical Drawing



Technical Data Sheet

SINGLE POWER POST

Our Small Base Single & Dual Power Posts are compact in design and ideal for creating a centralised power distribution or grounding point. Several configurations are available in order to suit a variety of applications.

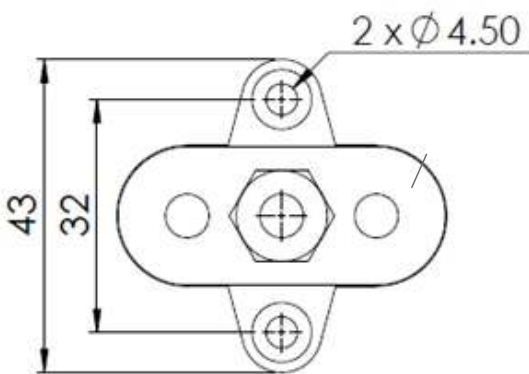
Features

- Allows terminating of heavy-duty cables for one or more connections
- Available in Red or Black
- Glass Fibre reinforced Nylon base ensures great mechanical strength and durability
- Insulated Base ensures no current leakage to mounting positions
- Heavy Duty Terminal Studs (up to M10)
- Small Base allows for easy installation in tight spaces

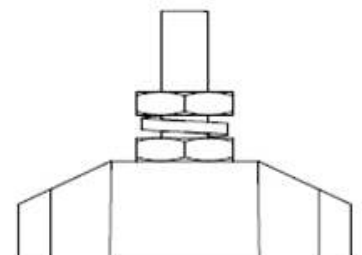
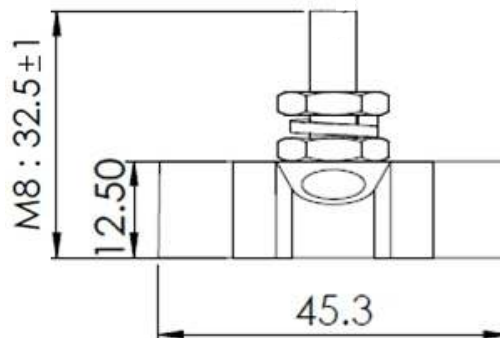
Specifications

Specifications	Part Number	Description	Size	Colour
Base Material: Nylon, Glass Fibre Reinforced	SBBK_SP-M8	Small Base - Single Power Post	M8	Black
Stud Material: Stainless Steel				
Screw Nuts Material: Nickel-plated Brass				
Max Operating Voltage: DC 48V				
Max Amp per Circuit: Determined by Wire Size Connected				

Technical Drawing



Top View



		Unit 3/15 Parramatta Road, Underwood, QLD Australia 4119 PO Box 1301, Slacks Creek QLD Australia 4127 P: +61 (0)7 3290 3116	
REF:	DATE: 06-09-18	DRN BY:	WEIGHT:
		CHK'D BY:	
TITLE: SMALL BASE- SINGLE POWER POST			
MATERIAL:		PART NO	
COLOR: BLACK	DRG CLASS	SBBK_SP-M8	

Technical Data Sheet

SINGLE POWER POST

Our Small Base Single & Dual Power Posts are compact in design and ideal for creating a centralised power distribution or grounding point. Several configurations are available in order to suit a variety of applications.

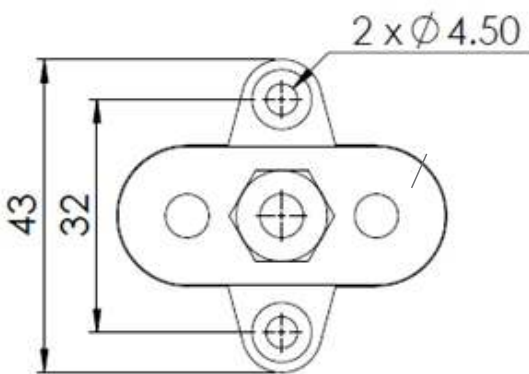
Features

- Allows terminating of heavy-duty cables for one or more connections
- Available in Red or Black
- Glass Fibre reinforced Nylon base ensures great mechanical strength and durability
- Insulated Base ensures no current leakage to mounting positions
- Heavy Duty Terminal Studs (up to M10)
- Small Base allows for easy installation in tight spaces

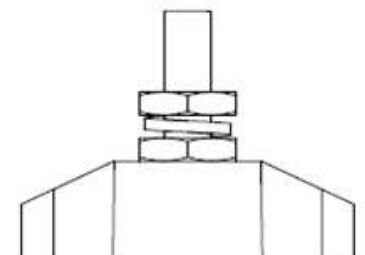
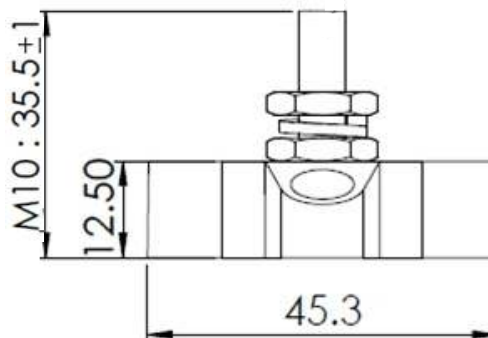
Specifications

Specifications	Part Number	Description	Size	Colour
Base Material: Nylon, Glass Fibre Reinforced	SBRD_SP-M10	Small Base - Single Power Post	M10	Red
Stud Material: Stainless Steel				
Screw Nuts Material: Nickel-plated Brass				
Max Operating Voltage: DC 48V				
Max Amp per Circuit: Determined by Wire Size Connected				

Technical Drawing



Top View



		Unit 3/15 Parramatta Road, Underwood, QLD Australia 4119 PO Box 1301, Slacks Creek QLD Australia 4127 P: +61 (0)7 3290 3116	
REF:	DATE: 06-09-18	DRN BY:	WEIGHT:
		CHK'D BY:	
TITLE: SMALL BASE- SINGLE POWER POST			
MATERIAL:		PART NO	
COLOR: RED	DRG CLASS	SBRD_SP-M10	

Technical Data Sheet

SINGLE POWER POST

Our Small Base Single & Dual Power Posts are compact in design and ideal for creating a centralised power distribution or grounding point. Several configurations are available in order to suit a variety of applications.

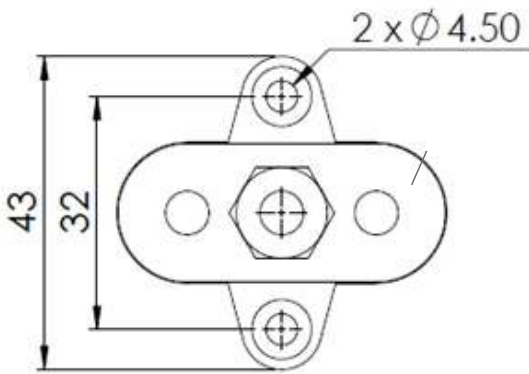
Features

- Allows terminating of heavy-duty cables for one or more connections
- Available in Red or Black
- Glass Fibre reinforced Nylon base ensures great mechanical strength and durability
- Insulated Base ensures no current leakage to mounting positions
- Heavy Duty Terminal Studs (up to M10)
- Small Base allows for easy installation in tight spaces

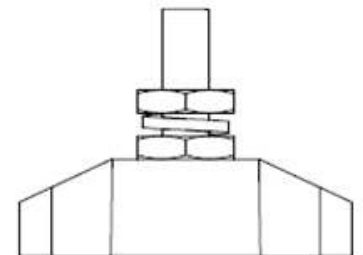
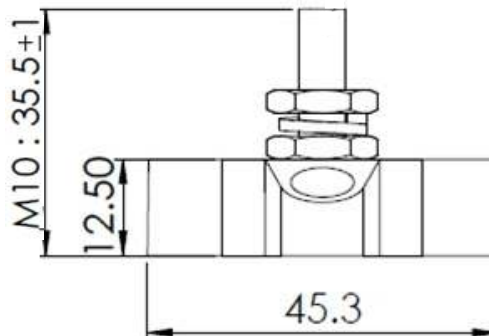
Specifications

Specifications	Part Number	Description	Size	Colour
Base Material: Nylon, Glass Fibre Reinforced	SBBK_SP-M10	Small Base - Single Power Post	M10	Black
Stud Material: Stainless Steel				
Screw Nuts Material: Nickel-plated Brass				
Max Operating Voltage: DC 48V				
Max Amp per Circuit: Determined by Wire Size Connected				

Technical Drawing



Top View



		Unit 3/15 Parramatta Road, Underwood, QLD Australia 4119 PO Box 1301, Slacks Creek QLD Australia 4127 P: +61 (0)7 3290 3116	
REF:	DATE: 06-09-18	DRN BY:	WEIGHT:
		CHK'D BY:	
TITLE: SMALL BASE- SINGLE POWER POST			
MATERIAL:		PART NO	
COLOR: BLACK	DRG CLASS	SBBK_SP-M10	

Technical Data Sheet

DUAL POWER POST

Our Small Base Single & Dual Power Posts are compact in design and ideal for creating a centralised power distribution or grounding point. Several configurations are available in order to suit a variety of applications.

Features

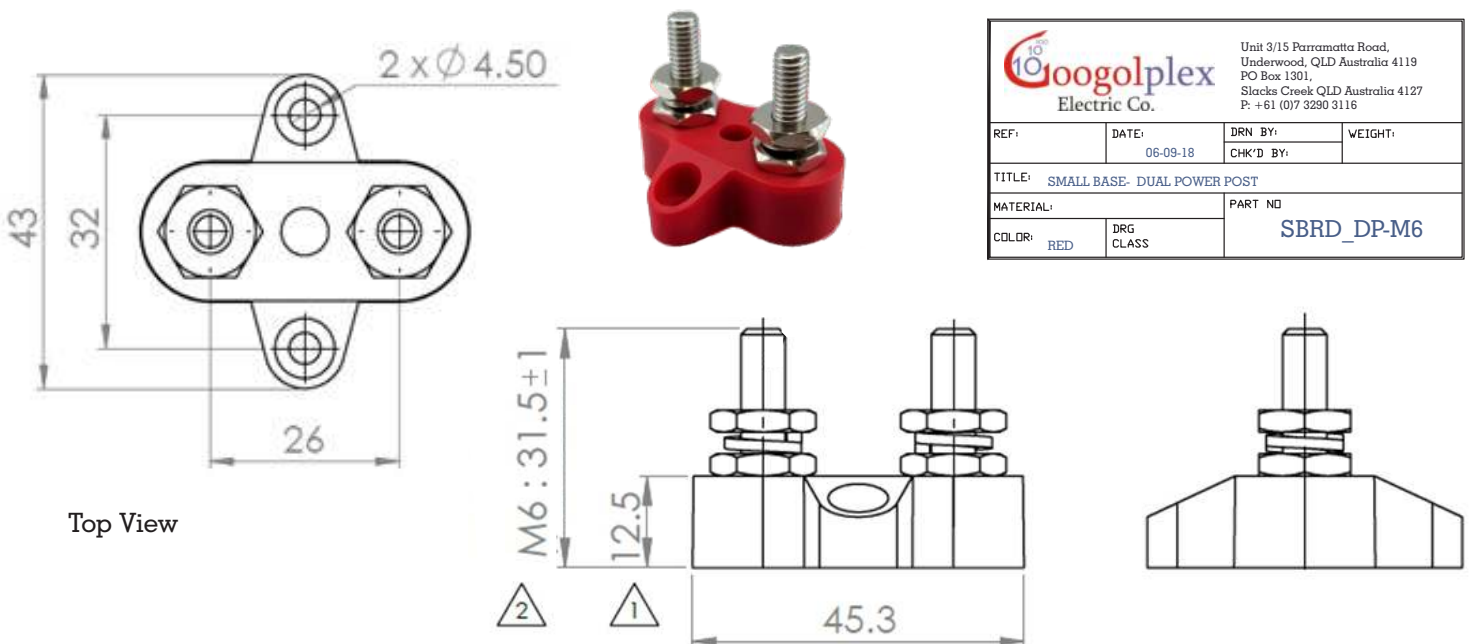
- Allows terminating of heavy-duty cables for one or more connections
- Available in Red or Black
- Glass Fibre reinforced Nylon base ensures great mechanical strength and durability
- Insulated Base ensures no current leakage to mounting positions
- Heavy Duty Terminal Studs (up to M8)
- Small Base allows for easy installation in tight spaces

Specifications

Specifications	
Base Material:	Nylon, Glass Fibre Reinforced
Stud Material:	Stainless Steel
Screw Nuts Material:	Nickel-plated Brass
Max Operating Voltage:	DC 48V
Max Amp per Circuit:	Determined by Wire Size Connected

Part Number	Description	Size	Colour
SBRD_DP-M6	Small Base - Dual Power Post	M6	Red

Technical Drawing



Technical Data Sheet

DUAL POWER POST

Our Small Base Single & Dual Power Posts are compact in design and ideal for creating a centralised power distribution or grounding point. Several configurations are available in order to suit a variety of applications.

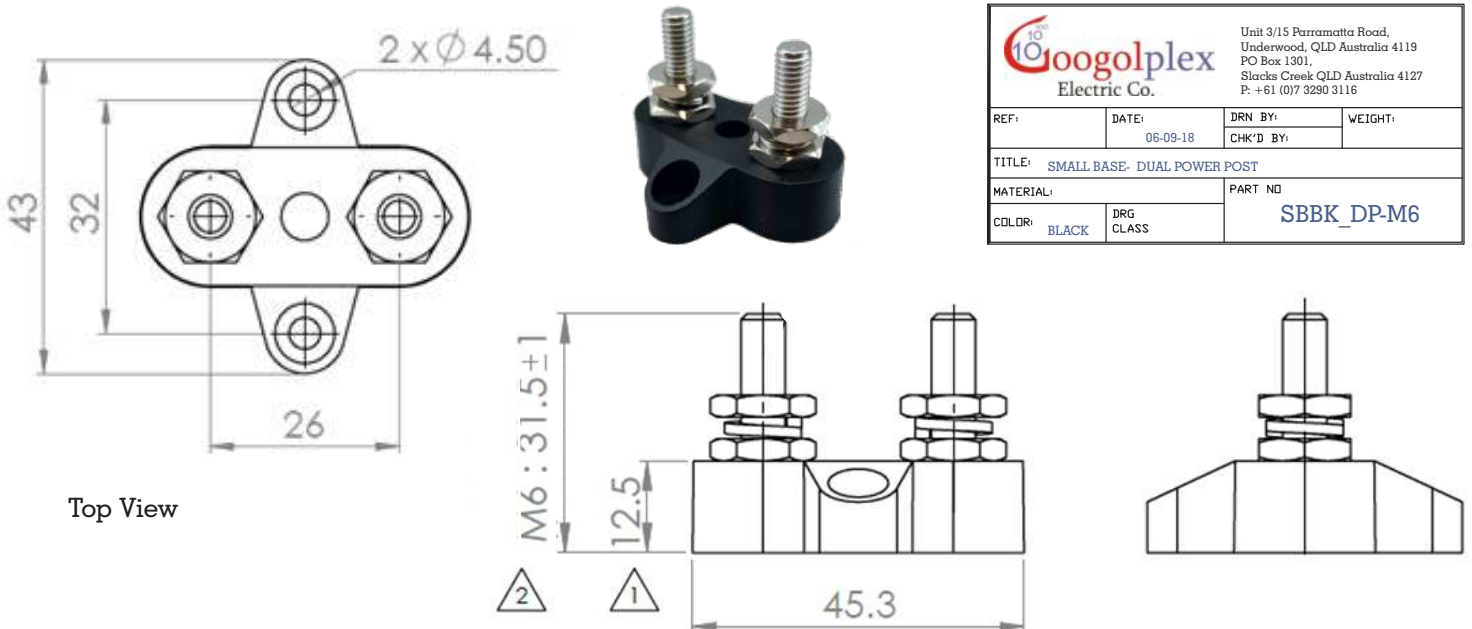
Features

- Allows terminating of heavy-duty cables for one or more connections
- Available in Red or Black
- Glass Fibre reinforced Nylon base ensures great mechanical strength and durability
- Insulated Base ensures no current leakage to mounting positions
- Heavy Duty Terminal Studs (up to M8)
- Small Base allows for easy installation in tight spaces

Specifications

Specifications	Part Number	Description	Size	Colour
Base Material: Nylon, Glass Fibre Reinforced	SBBK_DP-M6	Small Base - Dual Power Post	M6	Black
Stud Material: Stainless Steel				
Screw Nuts Material: Nickel-plated Brass				
Max Operating Voltage: DC 48V				
Max Amp per Circuit: Determined by Wire Size Connected				

Technical Drawing



Technical Data Sheet

DUAL POWER POST

Our Small Base Single & Dual Power Posts are compact in design and ideal for creating a centralised power distribution or grounding point. Several configurations are available in order to suit a variety of applications.

Features

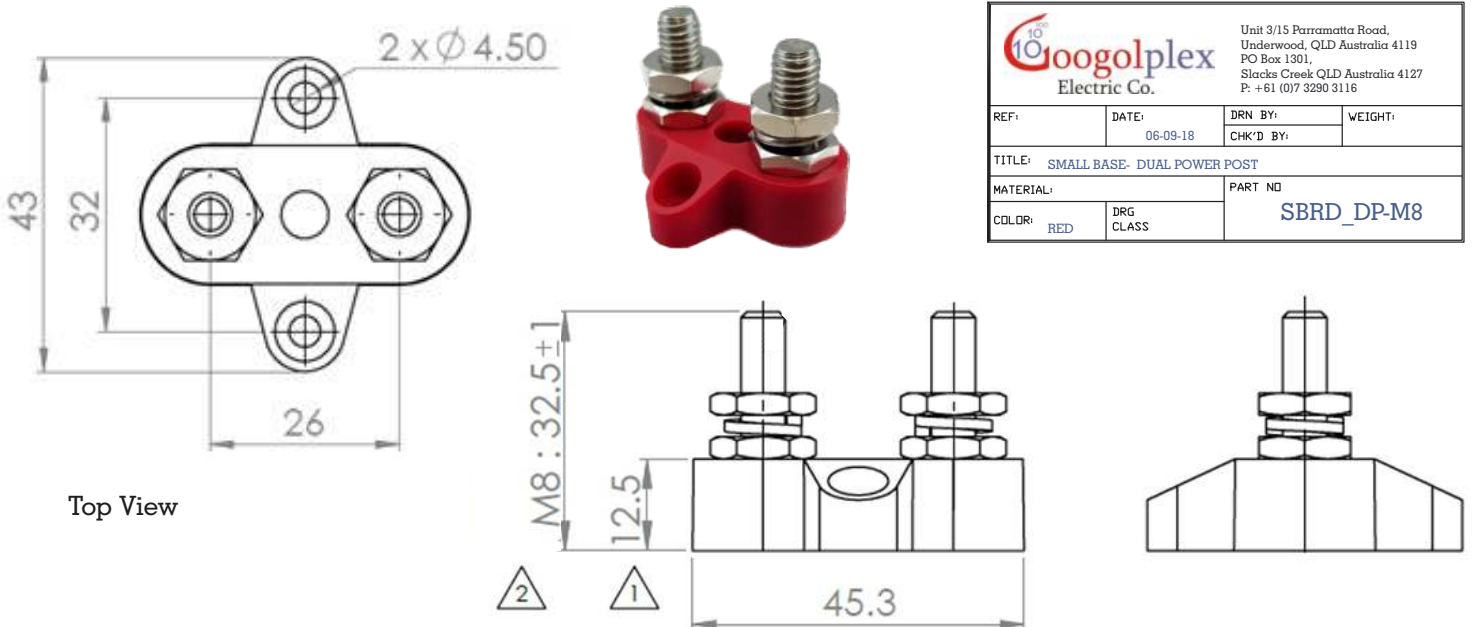
- Allows terminating of heavy-duty cables for one or more connections
- Available in Red or Black
- Glass Fibre reinforced Nylon base ensures great mechanical strength and durability
- Insulated Base ensures no current leakage to mounting positions
- Heavy Duty Terminal Studs (up to M8)
- Small Base allows for easy installation in tight spaces

Specifications

Specifications	
Base Material:	Nylon, Glass Fibre Reinforced
Stud Material:	Stainless Steel
Screw Nuts Material:	Nickel-plated Brass
Max Operating Voltage:	DC 48V
Max Amp per Circuit:	Determined by Wire Size Connected

Part Number	Description	Size	Colour
SBRD_DP-M8	Small Base - Dual Power Post	M8	Red

Technical Drawing



		Unit 3/15 Parramatta Road, Underwood, QLD Australia 4119 PO Box 1301, Slacks Creek QLD Australia 4127 P: +61 (0)7 3290 3116	
REF:	DATE: 06-09-18	DRN BY:	WEIGHT:
TITLE: SMALL BASE- DUAL POWER POST		CHK'D BY:	
MATERIAL:		PART NO	
COLOR: RED	DRG CLASS	SBRD_DP-M8	

Technical Data Sheet

DUAL POWER POST

Our Small Base Single & Dual Power Posts are compact in design and ideal for creating a centralised power distribution or grounding point. Several configurations are available in order to suit a variety of applications.

Features

- Allows terminating of heavy-duty cables for one or more connections
- Available in Red or Black
- Glass Fibre reinforced Nylon base ensures great mechanical strength and durability
- Insulated Base ensures no current leakage to mounting positions
- Heavy Duty Terminal Studs (up to M8)
- Small Base allows for easy installation in tight spaces

Specifications

Specifications	
Base Material:	Nylon, Glass Fibre Reinforced
Stud Material:	Stainless Steel
Screw Nuts Material:	Nickel-plated Brass
Max Operating Voltage:	DC 48V
Max Amp per Circuit:	Determined by Wire Size Connected

Part Number	Description	Size	Colour
SBBK_DP-M8	Small Base - Dual Power Post	M8	Black

Technical Drawing



Technical Data Sheet

DUAL POWER POST - DIVIDED

Our Small Base Single & Dual Power Posts are compact in design and ideal for creating a centralised power distribution or grounding point. Several configurations are available in order to suit a variety of applications.

Features

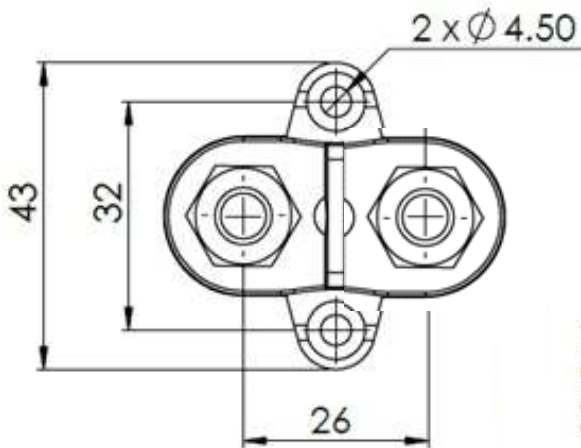
- Allows terminating of heavy-duty cables for one or more connections
- Available in Red or Black
- Glass Fibre reinforced Nylon base ensures great mechanical strength and durability
- Insulated Base ensures no current leakage to mounting positions
- Heavy Duty Terminal Studs (up to M10)
- Small Base allows for easy installation in tight spaces

Specifications

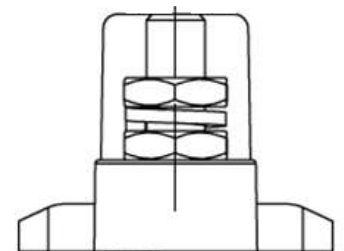
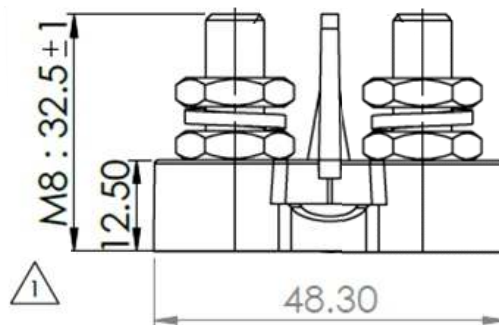
Specifications	
Base Material:	Nylon, Glass Fibre Reinforced
Stud Material:	Stainless Steel
Screw Nuts Material:	Nickel-plated Brass
Max Operating Voltage:	DC 48V
Max Amp per Circuit:	Determined by Wire Size Connected

Part Number	Description	Size	Colour
SBRD_DPD-M8	Small Base - Dual Power Post - Divided	M8	Red

Technical Drawing



Top View



		Unit 3/15 Parramatta Road, Underwood, QLD Australia 4119 PO Box 1301, Slacks Creek QLD Australia 4127 P: +61 (0)7 3290 3116	
REF:	DATE: 06-09-18	DRN BY:	WEIGHT:
TITLE: SMALL BASE- DUAL POWER POST - DIVIDED		CHK'D BY:	
MATERIAL:		PART NO	
COLOR: RED	DRG CLASS	SBRD_DPD-M8	

Technical Data Sheet

DUAL POWER POST - DIVIDED

Our Small Base Single & Dual Power Posts are compact in design and ideal for creating a centralised power distribution or grounding point. Several configurations are available in order to suit a variety of applications.

Features

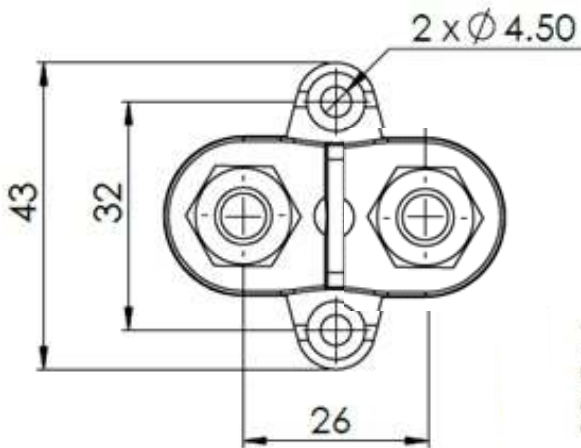
- Allows terminating of heavy-duty cables for one or more connections
- Available in Red or Black
- Glass Fibre reinforced Nylon base ensures great mechanical strength and durability
- Insulated Base ensures no current leakage to mounting positions
- Heavy Duty Terminal Studs (up to M10)
- Small Base allows for easy installation in tight spaces

Specifications

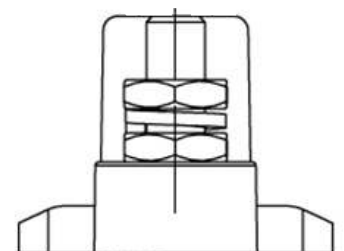
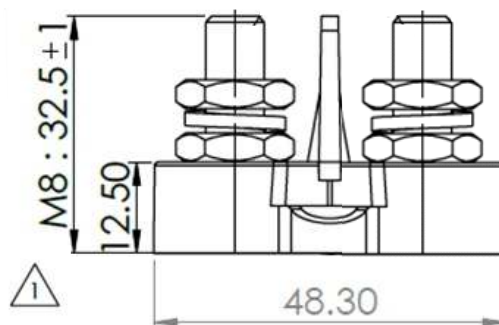
Specifications	
Base Material:	Nylon, Glass Fibre Reinforced
Stud Material:	Stainless Steel
Screw Nuts Material:	Nickel-plated Brass
Max Operating Voltage:	DC 48V
Max Amp per Circuit:	Determined by Wire Size Connected

Part Number	Description	Size	Colour
SBBK_DPD-M8	Small Base - Dual Power Post - Divided	M8	Black

Technical Drawing



Top View



		Unit 3/15 Parramatta Road Underwood, QLD Australia 4119 PO Box 1301, Slacks Creek QLD Australia 4127 P: +61 (0)7 3290 3116	
REF:	DATE: 06-09-18	DRN BY:	WEIGHT:
TITLE: SMALL BASE- DUAL POWER POST - DIVIDED		CHK'D BY:	
MATERIAL:		PART NO SBBK_DPD-M8	
COLOR: BLACK	DRG CLASS		

Technical Data Sheet

DUAL POWER POST - DIVIDED

Our Small Base Single & Dual Power Posts are compact in design and ideal for creating a centralised power distribution or grounding point. Several configurations are available in order to suit a variety of applications.

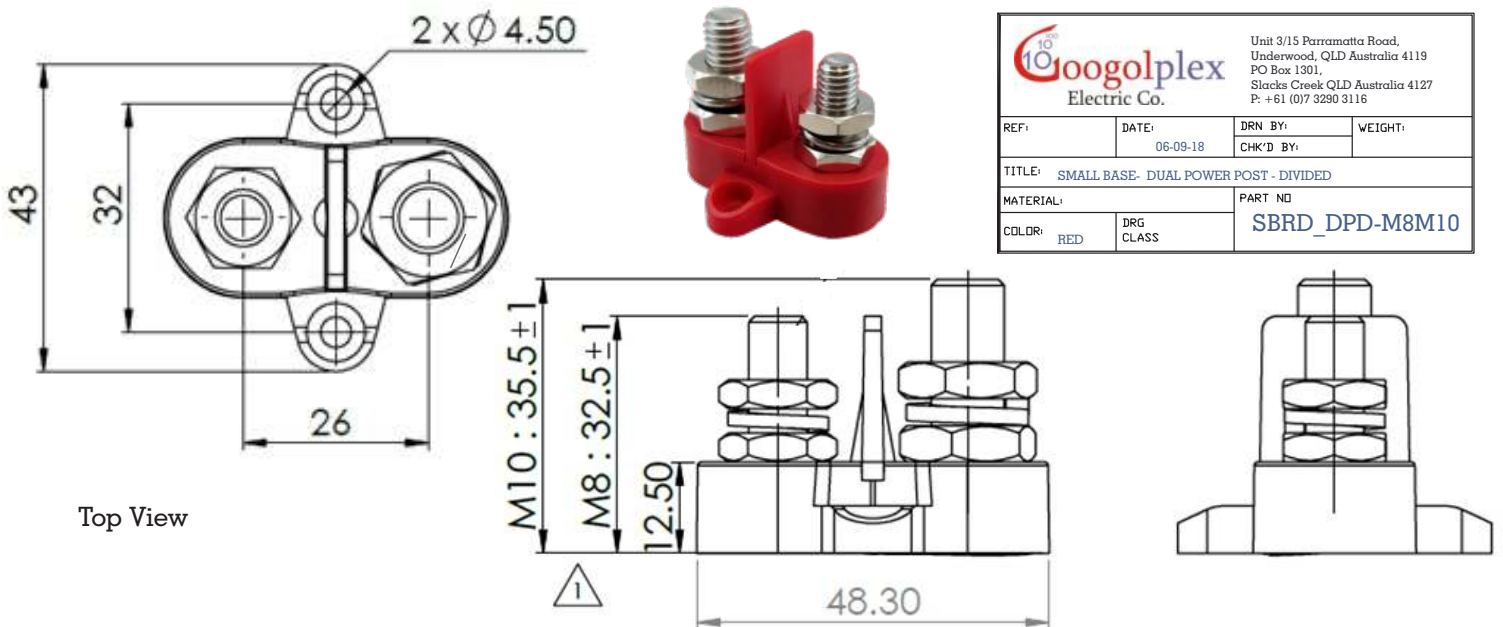
Features

- Allows terminating of heavy-duty cables for one or more connections
- Available in Red or Black
- Glass Fibre reinforced Nylon base ensures great mechanical strength and durability
- Insulated Base ensures no current leakage to mounting positions
- Heavy Duty Terminal Studs (up to M10)
- Small Base allows for easy installation in tight spaces

Specifications

Specifications	Part Number	Description	Size	Colour
Base Material: Nylon, Glass Fibre Reinforced	SBRD_DPD-M8M10	Small Base - Dual Power Post - Divided	M8- M10	Red
Stud Material: Stainless Steel				
Screw Nuts Material: Nickel-plated Brass				
Max Operating Voltage: DC 48V				
Max Amp per Circuit: Determined by Wire Size Connected				

Technical Drawing



Technical Data Sheet

DUAL POWER POST - DIVIDED

Our Small Base Single & Dual Power Posts are compact in design and ideal for creating a centralised power distribution or grounding point. Several configurations are available in order to suit a variety of applications.

Features

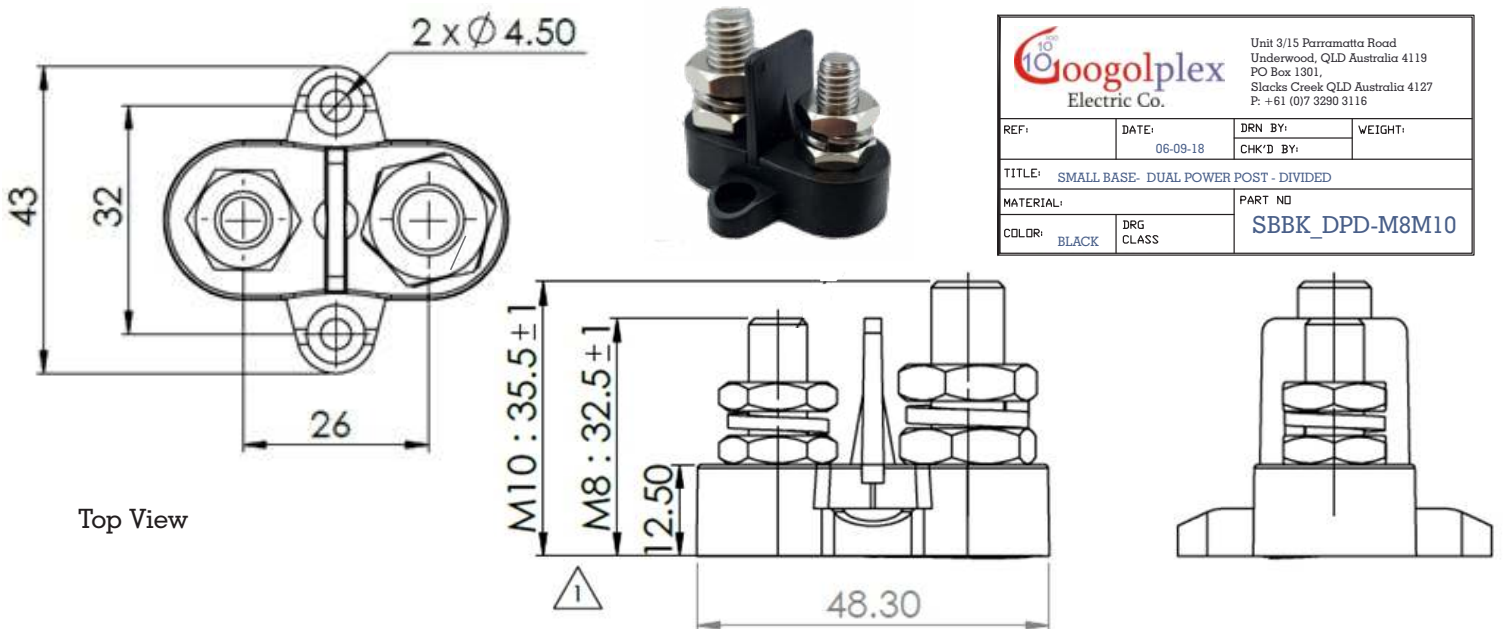
- Allows terminating of heavy-duty cables for one or more connections
- Available in Red or Black
- Glass Fibre reinforced Nylon base ensures great mechanical strength and durability
- Insulated Base ensures no current leakage to mounting positions
- Heavy Duty Terminal Studs (up to M10)
- Small Base allows for easy installation in tight spaces

Specifications

Specifications	
Base Material:	Nylon, Glass Fibre Reinforced
Stud Material:	Stainless Steel
Screw Nuts Material:	Nickel-plated Brass
Max Operating Voltage:	DC 48V
Max Amp per Circuit:	Determined by Wire Size Connected

Part Number	Description	Size	Colour
SBBK_DPD-M8M10	Small Base - Dual Power Post - Divided	M8- M10	Black

Technical Drawing



		Unit 3/15 Parramatta Road Underwood, QLD Australia 4119 PO Box 1301, Slacks Creek QLD Australia 4127 P: +61 (0)7 3290 3116	
		REF:	DATE: 06-09-18
TITLE: SMALL BASE- DUAL POWER POST - DIVIDED		CHK'D BY:	
MATERIAL:		PART NO: SBBK_DPD-M8M10	
COLOR: BLACK	DRG CLASS:		

Technical Data Sheet

DUAL POWER POST - DIVIDED

Our Small Base Single & Dual Power Posts are compact in design and ideal for creating a centralised power distribution or grounding point. Several configurations are available in order to suit a variety of applications.

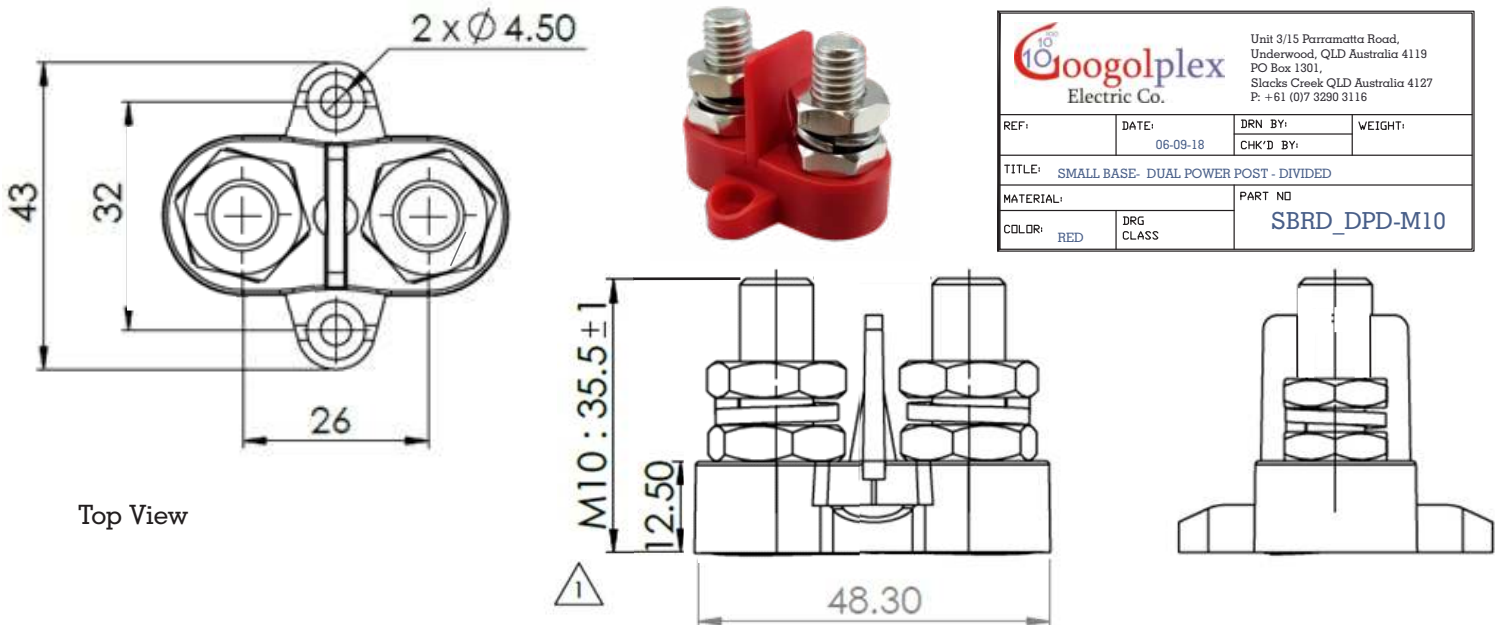
Features

- Allows terminating of heavy-duty cables for one or more connections
- Available in Red or Black
- Glass Fibre reinforced Nylon base ensures great mechanical strength and durability
- Insulated Base ensures no current leakage to mounting positions
- Heavy Duty Terminal Studs (up to M10)
- Small Base allows for easy installation in tight spaces

Specifications

Specifications	Part Number	Description	Size	Colour
Base Material: Nylon, Glass Fibre Reinforced	SBRD_DPD-M10	Small Base - Dual Power Post - Divided	M10	Red
Stud Material: Stainless Steel				
Screw Nuts Material: Nickel-plated Brass				
Max Operating Voltage: DC 48V				
Max Amp per Circuit: Determined by Wire Size Connected				

Technical Drawing



		Unit 3/15 Parramatta Road, Underwood, QLD Australia 4119 PO Box 1301, Slacks Creek QLD Australia 4127 P: +61 (0)7 3290 3116	
REF:	DATE: 06-09-18	DRN BY:	WEIGHT:
TITLE: SMALL BASE- DUAL POWER POST - DIVIDED		CHK'D BY:	
MATERIAL:		PART NO	
COLOR: RED	DRG CLASS	SBRD_DPD-M10	

Technical Data Sheet

DUAL POWER POST - DIVIDED

Our Small Base Single & Dual Power Posts are compact in design and ideal for creating a centralised power distribution or grounding point. Several configurations are available in order to suit a variety of applications.

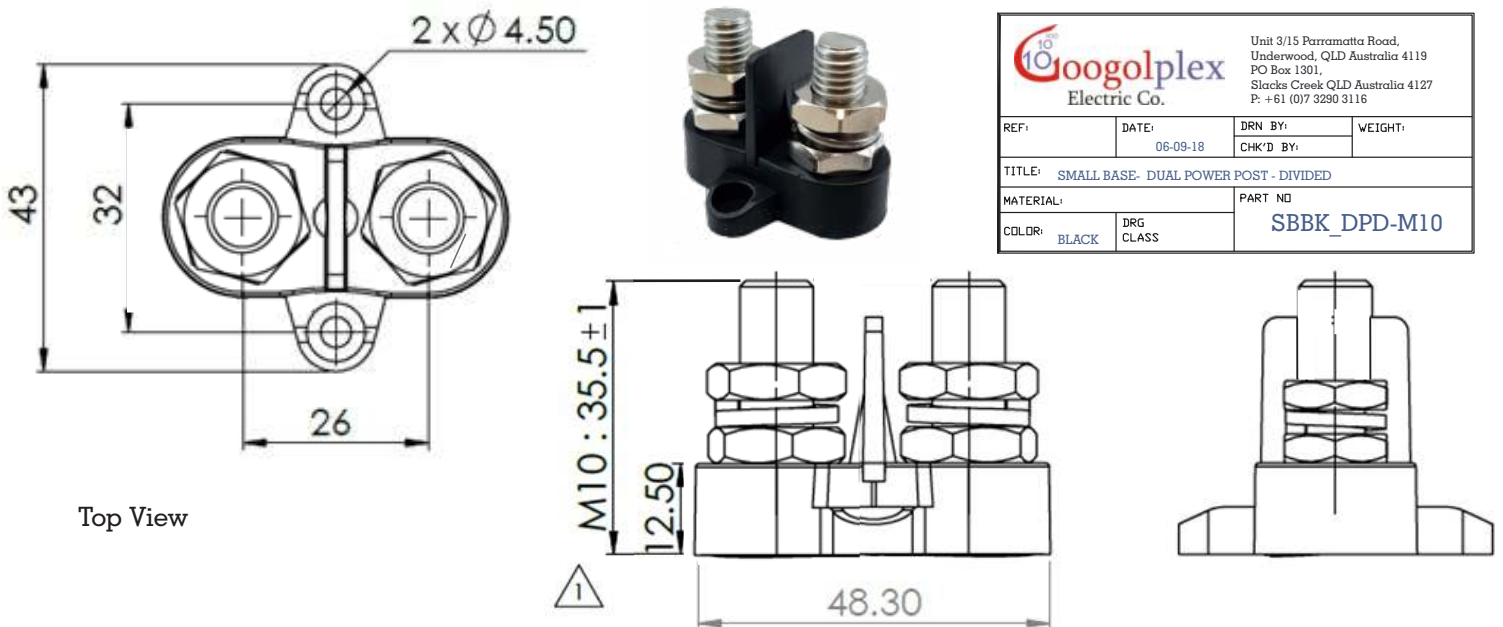
Features

- Allows terminating of heavy-duty cables for one or more connections
- Available in Red or Black
- Glass Fibre reinforced Nylon base ensures great mechanical strength and durability
- Insulated Base ensures no current leakage to mounting positions
- Heavy Duty Terminal Studs (up to M10)
- Small Base allows for easy installation in tight spaces

Specifications

Specifications	Part Number	Description	Size	Colour
Base Material: Nylon, Glass Fibre Reinforced	SBBK_DPD-M10	Small Base - Dual Power Post - Divided	M10	Black
Stud Material: Stainless Steel				
Screw Nuts Material: Nickel-plated Brass				
Max Operating Voltage: DC 48V				
Max Amp per Circuit: Determined by Wire Size Connected				

Technical Drawing



Technical Data Sheet

DUAL POWER POST - LINKED

Our Small Base Single & Dual Power Posts are compact in design and ideal for creating a centralised power distribution or grounding point. Several configurations are available in order to suit a variety of applications.

Features

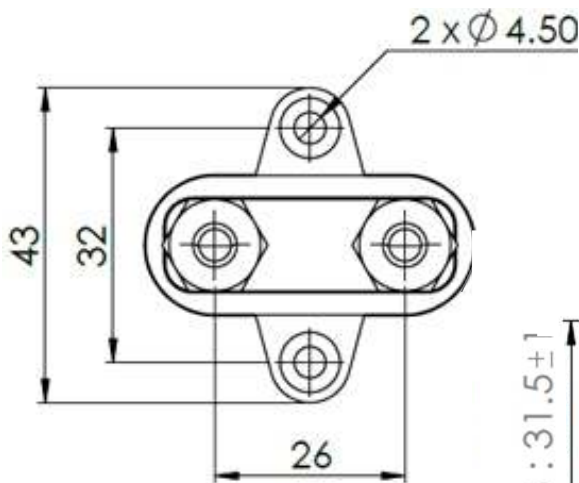
- Allows terminating of heavy-duty cables for one or more connections
- Available in Red or Black
- Glass Fibre reinforced Nylon base ensures great mechanical strength and durability
- Insulated Base ensures no current leakage to mounting positions
- Heavy Duty Terminal Studs (up to M8)
- Small Base allows for easy installation in tight spaces

Specifications

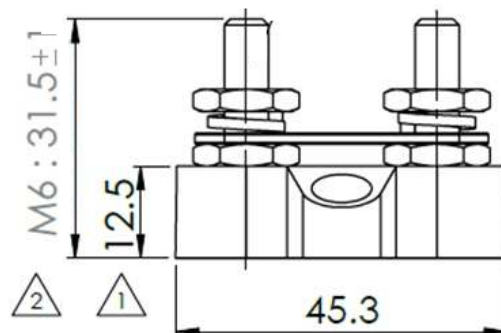
Specifications	
Base Material:	Nylon, Glass Fibre Reinforced
Stud Material:	Stainless Steel
Screw Nuts Material:	Nickel-plated Brass
Max Operating Voltage:	DC 48V
Max Amp per Circuit:	Determined by Wire Size Connected

Part Number	Description	Size	Colour
SBRD_DPL-M6	Small Base - Dual Power Post - Linked	M6	Red

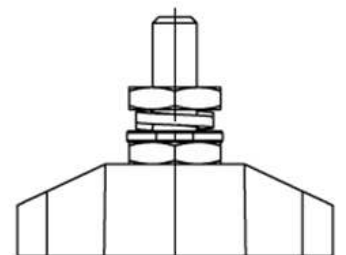
Technical Drawing



Top View



		Unit 3/15 Parramatta Road, Underwood, QLD Australia 4119 PO Box 1301, Slacks Creek QLD Australia 4127 P: +61 (0)7 3290 3116	
REF:	DATE: 06-09-18	DRN BY:	WEIGHT:
		CHK'D BY:	
TITLE: SMALL BASE- DUAL POWER POST - LINKED			
MATERIAL:		PART NO	
COLOR: RED	DRG CLASS	SBRD_DPL-M6	



Technical Data Sheet

DUAL POWER POST - LINKED

Our Small Base Single & Dual Power Posts are compact in design and ideal for creating a centralised power distribution or grounding point. Several configurations are available in order to suit a variety of applications.

Features

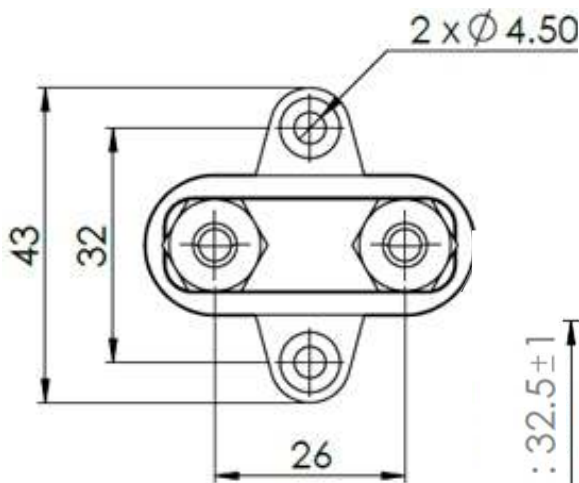
- Allows terminating of heavy-duty cables for one or more connections
- Available in Red or Black
- Glass Fibre reinforced Nylon base ensures great mechanical strength and durability
- Insulated Base ensures no current leakage to mounting positions
- Heavy Duty Terminal Studs (up to M8)
- Small Base allows for easy installation in tight spaces

Specifications

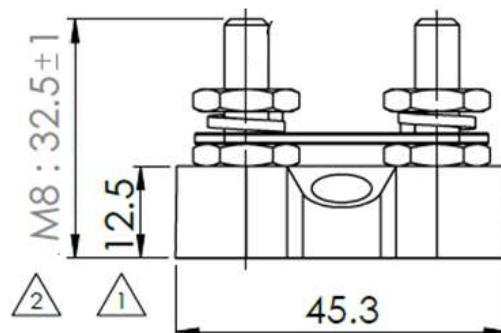
Specifications	
Base Material:	Nylon, Glass Fibre Reinforced
Stud Material:	Stainless Steel
Screw Nuts Material:	Nickel-plated Brass
Max Operating Voltage:	DC 48V
Max Amp per Circuit:	Determined by Wire Size Connected

Part Number	Description	Size	Colour
SBBK_DPL-M6	Small Base - Dual Power Post - Linked	M6	Black

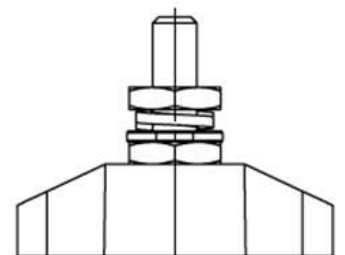
Technical Drawing



Top View



		Unit 3/15 Parramatta Road, Underwood, QLD Australia 4119 PO Box 1301, Slacks Creek QLD Australia 4127 P: +61 (0)7 3290 3116	
REF:	DATE:	DRN BY:	WEIGHT:
	06-09-18	CHK'D BY:	
TITLE: SMALL BASE- DUAL POWER POST - LINKED			
MATERIAL:		PART NO	
COLOR: BLACK	DRG CLASS	SBBK_DPL-M6	



Technical Data Sheet

DUAL POWER POST - LINKED

Our Small Base Single & Dual Power Posts are compact in design and ideal for creating a centralised power distribution or grounding point. Several configurations are available in order to suit a variety of applications.

Features

- Allows terminating of heavy-duty cables for one or more connections
- Available in Red or Black
- Glass Fibre reinforced Nylon base ensures great mechanical strength and durability
- Insulated Base ensures no current leakage to mounting positions
- Heavy Duty Terminal Studs (up to M8)
- Small Base allows for easy installation in tight spaces

Specifications

Specifications	Part Number	Description	Size	Colour
Base Material: Nylon, Glass Fibre Reinforced	SBRD_DPL-M8	Small Base - Dual Power Post - Linked	M8	Red
Stud Material: Stainless Steel				
Screw Nuts Material: Nickel-plated Brass				
Max Operating Voltage: DC 48V				
Max Amp per Circuit: Determined by Wire Size Connected				

Technical Drawing

		Unit 3/15 Parramatta Road, Underwood, QLD Australia 4119 PO Box 1301, Slacks Creek QLD Australia 4127 P: +61 (0)7 3290 3116	
REF:	DATE: 06-09-18	DRN BY:	WEIGHT:
		CHK'D BY:	
TITLE: SMALL BASE- DUAL POWER POST - LINKED			
MATERIAL:		PART NO	
COLOR: RED	DRG CLASS	SBRD_DPL-M8	

Technical Data Sheet

DUAL POWER POST - LINKED

Our Small Base Single & Dual Power Posts are compact in design and ideal for creating a centralised power distribution or grounding point. Several configurations are available in order to suit a variety of applications.

Features

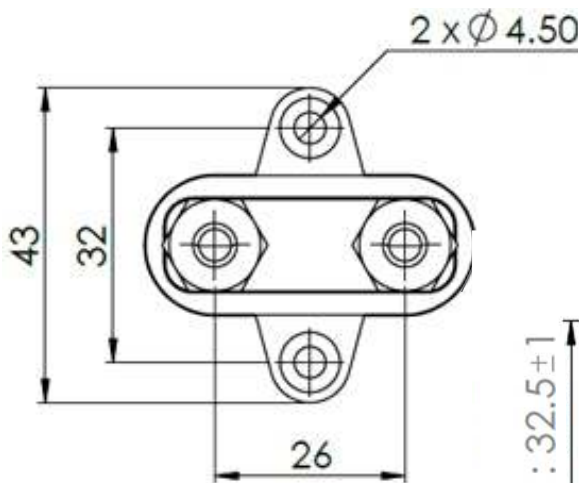
- Allows terminating of heavy-duty cables for one or more connections
- Available in Red or Black
- Glass Fibre reinforced Nylon base ensures great mechanical strength and durability
- Insulated Base ensures no current leakage to mounting positions
- Heavy Duty Terminal Studs (up to M8)
- Small Base allows for easy installation in tight spaces

Specifications

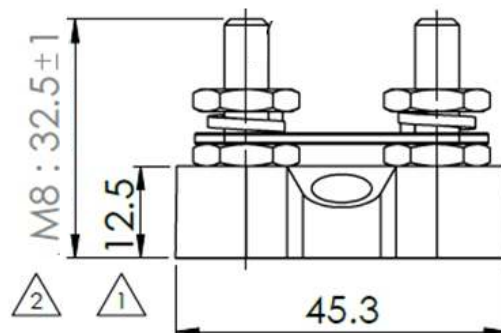
Specifications	
Base Material:	Nylon, Glass Fibre Reinforced
Stud Material:	Stainless Steel
Screw Nuts Material:	Nickel-plated Brass
Max Operating Voltage:	DC 48V
Max Amp per Circuit:	Determined by Wire Size Connected

Part Number	Description	Size	Colour
SBBK_DPL-M8	Small Base - Dual Power Post - Linked	M8	Black

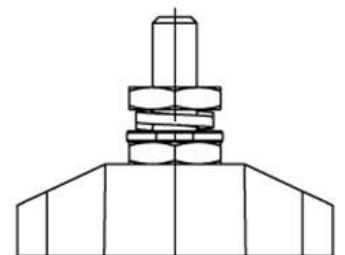
Technical Drawing



Top View



		Unit 3/15 Parramatta Road, Underwood, QLD Australia 4119 PO Box 1301, Slacks Creek QLD Australia 4127 P: +61 (0)7 3290 3116	
REF:	DATE: 06-09-18	DRN BY:	WEIGHT:
		CHK'D BY:	
TITLE: SMALL BASE- DUAL POWER POST - LINKED			
MATERIAL:		PART NO	
COLOR: BLACK	DRG CLASS	SBBK_DPL-M8	





*Unit 3/15 Parramatta Road, Underwood, QLD Australia 4119
PO Box 1301, Slacks Creek QLD Australia 4127
P: +61 (0)7 3290 3116
E: sales@googolplex.com.au*

www.googolplex.com.au