

# 10000

## POWERKEY ULTIMATE

### STANDARD FEATURES

- Supply voltage 12-24v
- 10 soft rubber molded buttons
- Sealed IP68
- Improved thermal dissipation
- CAN J1939 / RS-485 Protocol compatible
- Total of 28 RGB indicators fro entire keypad
- Laser etched icons and text for each button
- 8 centre keys each with 3 RGB indicators - (Colours controlled by CAN message)
- 2 side keys with 2 RGB indicators - (Colours controlled by CAN message)
- Each key has separate bright white backlighting LEDs with global intensity dimming
- Low Profile
- Compact
- Pad Print
- UV Protected

### SOFTWARE FEATURES

- CAN and Rs485 keypad addresses
- CANopen Communications Protocol
- On / Off, momentary, toggle, scroll/step functions programmable for each key
- Legacy Firmware support for previous installations
- ECS firmware for user programmable features using C based scripting language
- CRM firmware for simplified Can configuration using GEC Software utilities

### HARDWARE FEATURES

- Flush-mount or Front-mount
- Vertical or horizontal mount
- Custom painting of individual button regions
- Available in fixed legends
- Connector options include: Deutsch, Amphenol or M12
- Over 1000 icons available
- IP68 Rated



## FLEXIBLE - SMART - RUGGED

# SPECIFICATIONS

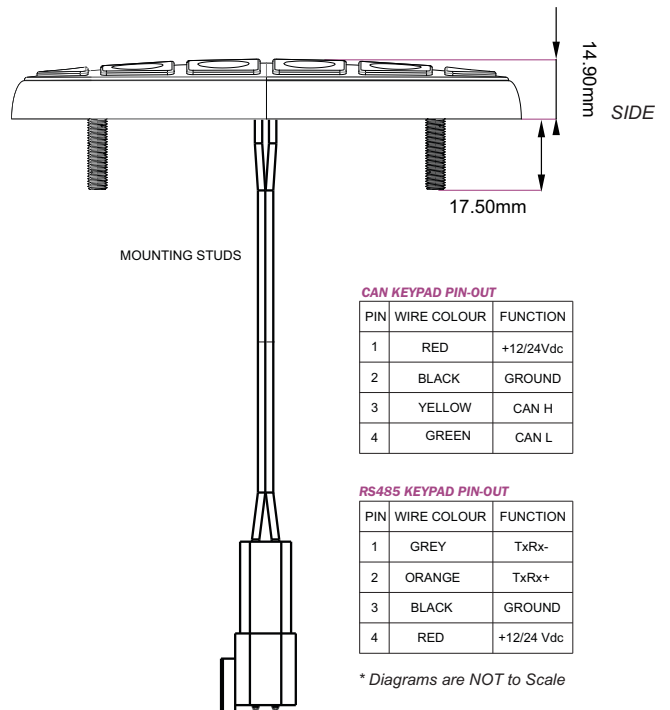
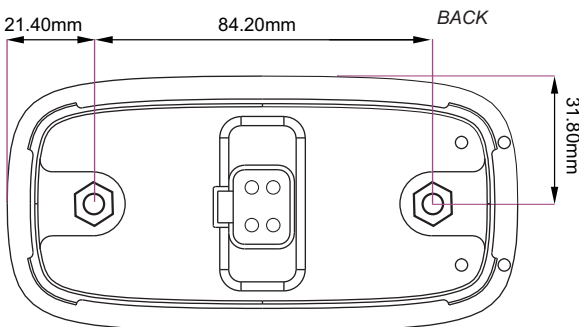
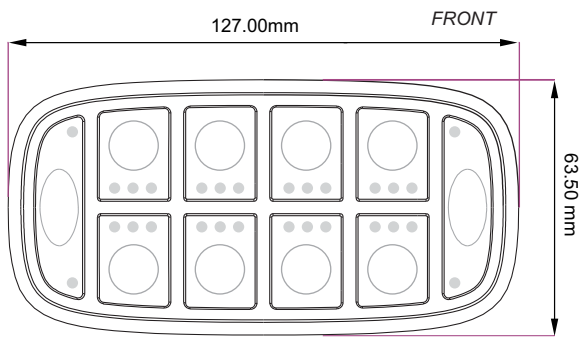
## ELECTRICAL

Supply Voltage	12/24 VDC Nominal (8-32VDC)
Standby Current	<50 mA
Communication BUS	Rs485, CANopen, J1939

## MECHANICAL

Connector	Deutsch DT04-4P, Molex 19418-0004, Micro-C and more
Switch Life	3 Million operations
Mechanical Shock	X, Y, Z 50Gs 11ms
Vibration	X, Y, Z 10 - 150Hz 0.15mm amp
Mounting Studs	#10-32 CDS-510 phosphor bronze, electroplated bright tin
Keypad	Silicone rubber with polyurethane hardcoat
Operating Temperature	-40 °C to +85 °C
Storage Temperature	-40 °C to +85 °C
Thermal Shock	-40 ° to +72 °C @4 °C/Min
Humidity	0 to 98% (no condensation)
UV Protection / Salt Spray	UVB 400 hours / Per ASTM B117
Chemical Resistance	DEET, Engine Cleaner, Isopropyl Alcohol, Suntan Lotion, Multi-Purpose Cleaner, Orange Citrus Cleaner
Ingress Protection	IP67/NEMA6

# DIMENSIONS



### MOUNT ON A FLAT SURFACE ONLY

Part Number:	GEC-PKU1000
Nut Size*:	10-32 UNF S/S
Washer Sizes:	M5 Spring Washer S/S, M5 Flat Washer S/S
Torque Maximum:	7 +/- 1 in. lbs

**\* DO NOT USE NYLOC NUTS**