

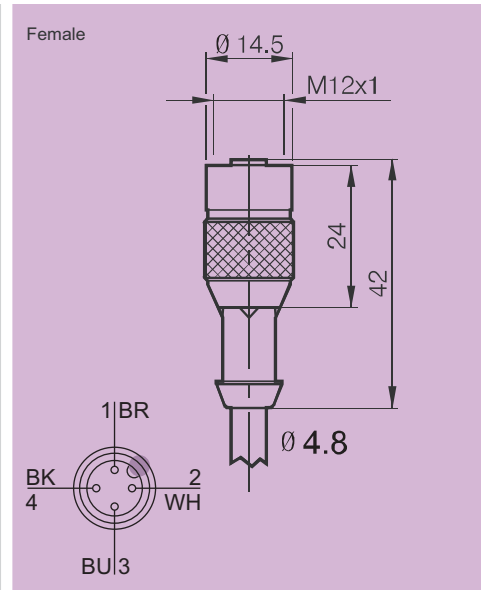
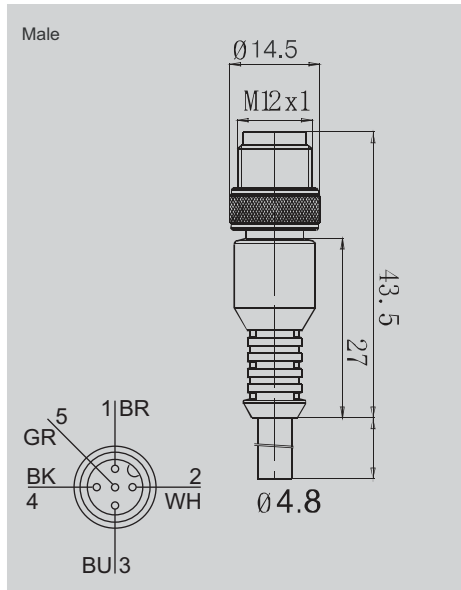
Interconnecting Cables

Cables

Connector

**M12 Male
3/4 Pole (Pin)**

**M12 Female
3/4 Pole (Pin)**



- DSS-CCS-FM12-F4A-3M**
- DSS-CCS-FM12-F4A-5M**
- DSS-CCS-FM12-F4A-10M**

Cable Lengths Available	3 Meter, 5 Meter, 10 Meter
No. of Cores	16X0.15
Section of Each Core	3(4) X 0.3mm ²
Material (Cable/Injection)	PVC
Material (Pole/Pin)	Copper
LED Lamp	NO
Rated Voltage	DC 12~220V
Resistance of Each Core	17.24 X 10 ⁻³ Ω
Installation Strength	>200 MΩ
IP Rating (Cable/Injection)	IP67/IP65
Connection	Male - Female